

# Circular 8" Chart Recorder

- for pressure De Wit model 4828
- for temperature De Wit model 1828



Circular 8" Chart Recorder De Wit model 4828T

## Specifications

- Circular recorder, 260 mm diameter with back flange for wall mounting
- Case light metal, finish blue, weatherproof
- Recording with disposable felt pen on circular recorder charts diameter 223 mm, writing width 80 mm
- Mechanical spring wound clock, revolution time 24 hrs (clockwise)
- Window laminated safety glass
- Accuracy Class 1,0
- Connection bottom or back, 1/2" NPT or 1/2" BSP

Minimum pressure range:

0-1 bar / 0-15 psi

Maximum pressure range:

0-4000 bar / 0-60.000 psi

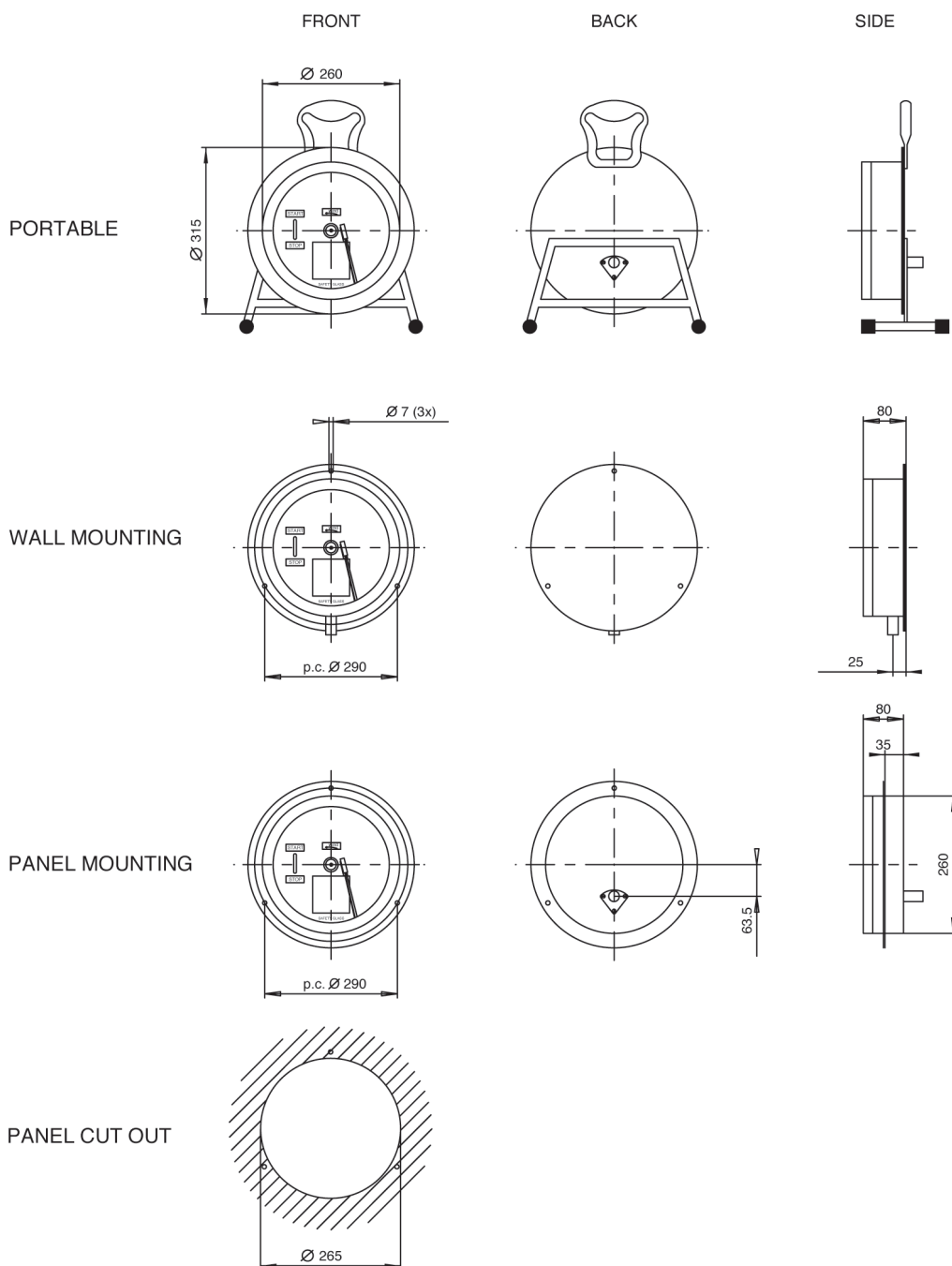
Minimum temperature: -170 °C

Maximum temperature: +600 °C

Minimum temperature span: 60 °C

## Options

- Portable execution (with handle & feet, add T to type number)
- Wetted parts stainless steel AISI 316 (for range 0-1600 bar max.)
- Mechanical spring wound clock, revolution time 1 hr, 4 hrs, 8 hrs, 12 hrs or 7 days (clockwise, optional: anti-clockwise)
- Electric clockwork
- Other ranges and connections available upon request
- Special executions on request



**Ordering information:**

- Model number
- Mounting: wall mount/panel mount/portable
- Range
- Clockwork revolution time
- For temperature recorders: capillary length, connection and bulb specifications
- Options, if any

Note: All our recorders are supplied with 50 recorder charts and 1 spare feltpen. If you require a calibration certificate (traceable to (inter)national standards), please specify in case of order.

